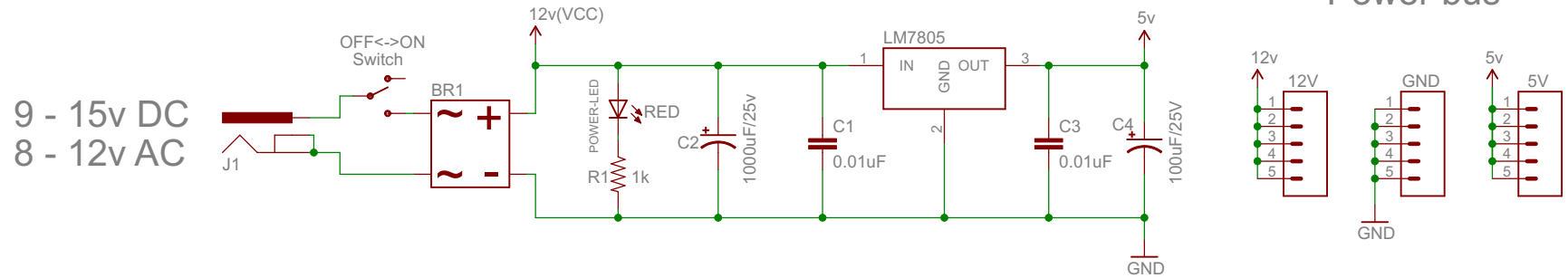
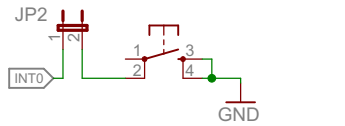


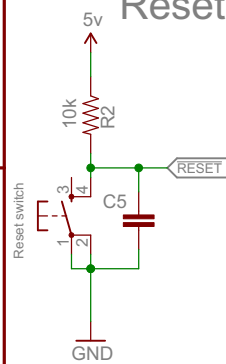
## Power supply circuit



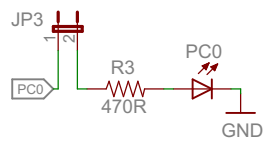
## User switch



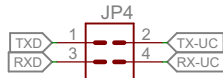
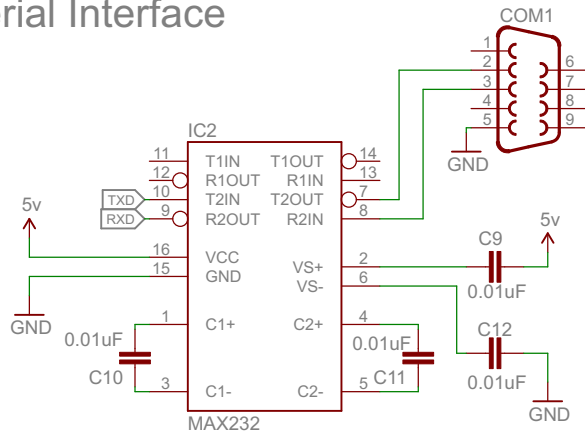
## Reset Circuit



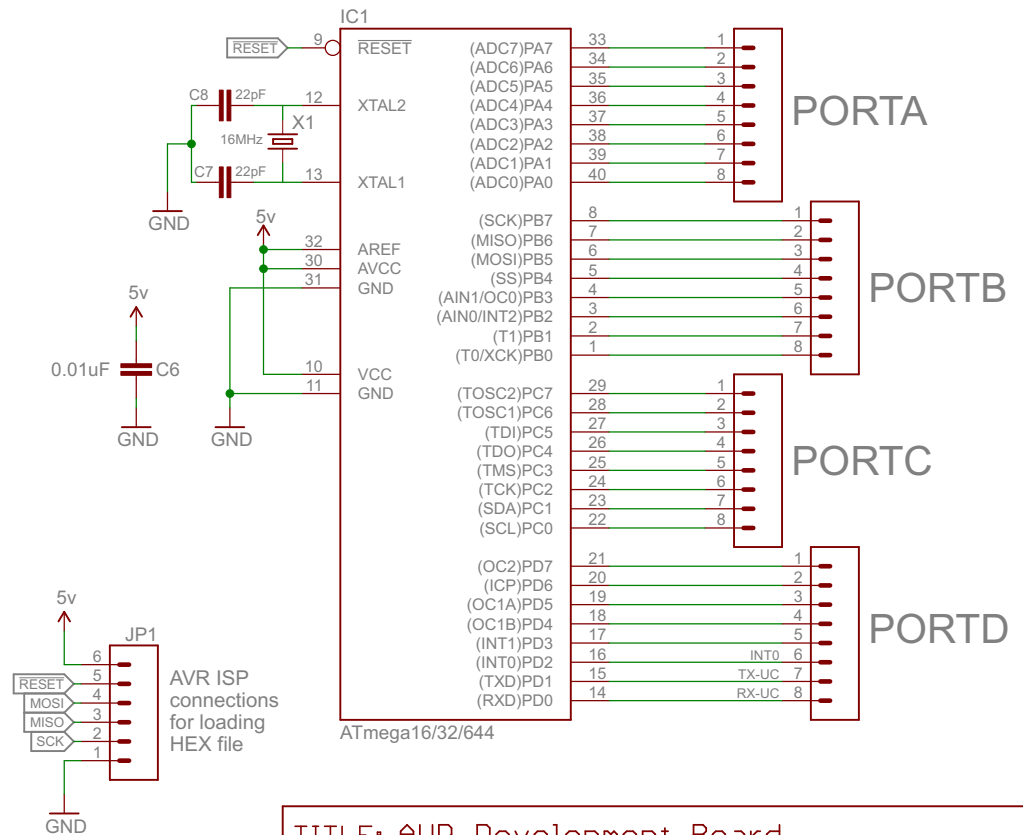
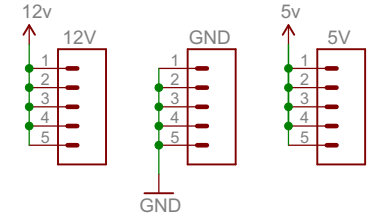
## User LED



## Serial Interface



## Power bus



TITLE: AVR Development Board

Design by:  
SILICON TECHNO LABS

REV:  
STL028V2.0

Date: 22-12-2015 16:23:42

Sheet: 1/1